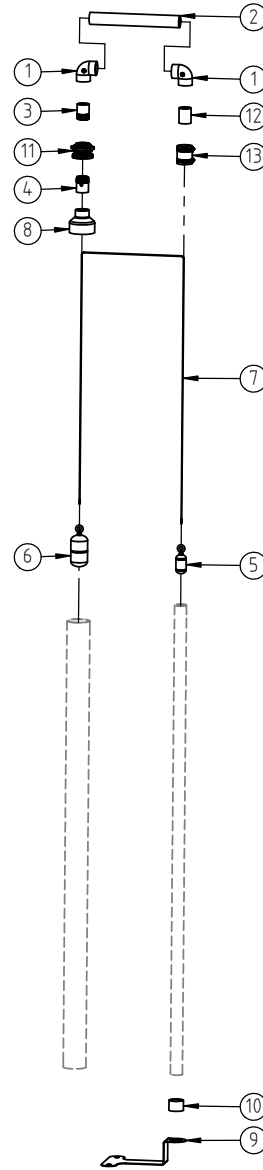


Copyright. All information furnished within this document, electronic file or design correspondence is the property of Den Hartog Industries, Inc. and shall not be used, disclosed to others or copied without the expressed written consent of Den Hartog Industries, Inc.

KEY	PART NUMBER	DESCRIPTION	QTY.
1	14989	REVERSE FLOAT SIGHT GUAGE-ELBOW ASSEMBLY	2
2	15016	PIPE, PVC, 2" SCH 40-18.00"	1
3	15008	NIPPLE, 2.00" X 3.00",PVC-ONE END	1
4	15009	NIPPLE, 2.00" X 3.00",PVC-ONE END, VENT HOLE	1
5	15006	COUNTER WEIGHT	1
6	15002	FLOAT	1
7	15010	ROPE, 0.13" DIA. POLYPROPYLENE	1
8	15011	REDUCER,PVC, 4.00" TO 2.00"	1
9	15012	PIPE SPACER ASSEMBLY	1
10	15013	PIPE, 2-1/2" PVC SCH 40-2.00 IN	1
11	10508	2" BULKHEAD	1
12	15014	PIPE, PVC, 2" SCH 40-3.00"	1
13	15015	2.00 IN RUBBER FLEX CONNECTOR	1



4" SCHEDULE 40 PVC PIPE. (SHOWN FOR REFERENCE ONLY) SOURCED AND PROVIDED BY THE END USER.

CLEAR/TRANSPARENT 2" SCHEDULE 40 PVC PIPE. (SHOWN FOR REFERENCE ONLY) SOURCED AND PROVIDED BY THE END USER.

BOND 2-1/2" PVC SLEAVE TO CLEAR/TRANSPARENT 2" PVC PIPE AT DESIRED HEIGHT TO REDUCE SAGGING STRESS ON SIGHT GAUGE ASSEMBLY.

				DRAWN / DATE ADH 9/26/18	MATERIAL SEE COMPONENTS
				APPRD. / DATE REH 1/31/19	
REV	DESCRIPTION	BY / DATE	CCN		
ALL DIMENSIONS ARE IN DECIMAL INCHES TOLERANCES UNLESS OTHERWISE SPECIFIED		THIRD ANGLE PROJECTION ANSI 14.5M		SHOT WEIGHT: N.A.	NOTES: COMPONENTS SHIPPED LOOSELY. BOND WHERE NECESSARY.
POLYETHYLENE		METAL DECIMAL ± .125" FRACTION ± 1/4" ANGLE ± 1°		SHIPPING WEIGHT: XXXX	
±1% @ 68°F				FINISH:	



Den Hartog
INDUSTRIES, INC.

Ace Roto-Mold Injection Molding Blow Molding Sowjoy

4010 HOSPERS DRIVE S. BOX 425, HOSPERS, IOWA 51238-0425

DESCRIPTION LARGE REVERSE FLOAT SIGHT GAUGE ASSEMBLY -1 OF 2	
SCALE N.S.	PART NO. 14988

© DEN HARTOG INDUSTRIES, INC.

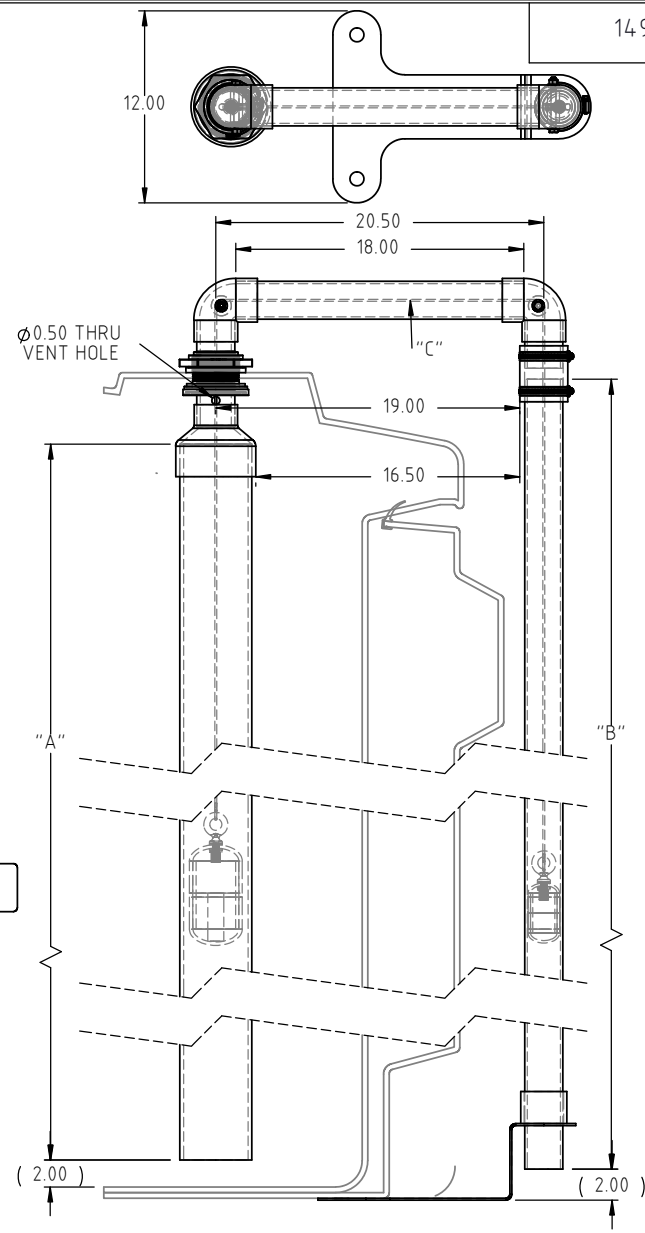
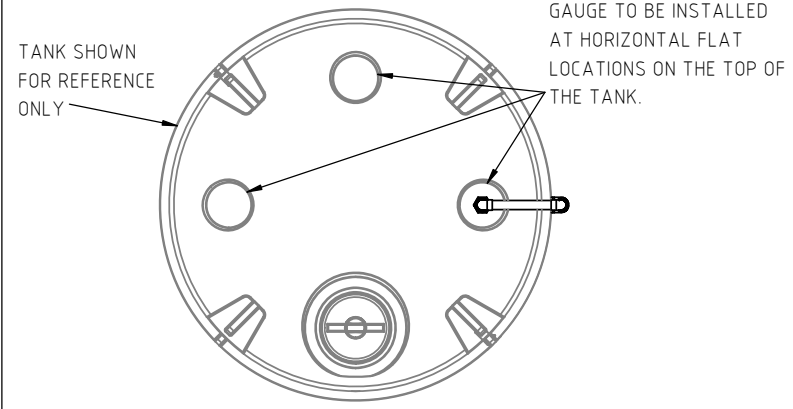
Copyright. All information furnished within this document, electronic file or design correspondence is the property of Den Hartog Industries, Inc. and shall not be used, disclosed to others or copied without the expressed written consent of Den Hartog Industries, Inc.

14988


REVERSE SIGHT GAUGE IN DUAL WALL TANK LINE DIMENSIONS

TANK	INTERIOR PIPE LENGTH (IN.) (A)	EXTERIOR PIPE LENGTH (IN.) (B)	TOTAL LENGTH OF ROPE NEEDED (IN.) (C)
DW2000-102	89.50	94.13	124.25
DW2500-102	111.50	116.25	146.25
DW3000-102	134.00	138.50	168.63
DW3500-102	155.50	160.50	190.63
DW4000-102	178.50	184.00	214.00
DW4500-102	200.50	206.00	236.00
DW5000-102	223.50	229.38	259.50
DW5500-120	166.63	172.50	202.63
DW6000-120	181.13	187.63	217.63
DW6500-120	197.25	203.88	234.00
DW7000-120	211.88	217.88	247.88
DW7500-120	228.50	235.00	265.13
DW8000-120	244.38	251.00	281.13
DW8500-142	176.13	182.88	212.88
DW9000-142	187.00	194.00	224.00
DW9500-142	197.75	205.00	235.13
DW10000-142	208.00	215.25	245.38
DW12500-142	260.75	268.50	298.50
DW15500-142	319.13	327.63	357.75

TALLER TANKS MAY REQUIRE MULTIPLE COUPLINGS DEPENDING ON THE PIPE LENGTHS AVAILABLE.



REV	DESCRIPTION	BY / DATE	CCN	DRAWN / DATE ADH 9/26/18	MATERIAL SEE COMPONENTS
				APPRD. / DATE REH 1/31/19	
				SHOT WEIGHT: N.A.	NOTES:
				SHIPPING WEIGHT: XXXX	
				FINISH:	



Den Hartog
INDUSTRIES, INC.

Ace Roto-Mold Injection Molding Blow Molding Sowjoy

4010 HOSPERS DRIVE S. BOX 425, HOSPERS, IOWA 51238-0425

DESCRIPTION LARGE REVERSE FLOAT SIGHT GAUGE ASSEMBLY-2 OF 2	
SCALE N.S.	PART NO. 14988

ALL DIMENSIONS ARE IN DECIMAL INCHES
TOLERANCES UNLESS OTHERWISE SPECIFIED

POLYETHYLENE METAL
DECIMAL ± .125"
FRACTION ± 1/4"
ANGLE ± 1°

±1% @ 68°F

